

HIGHEST PLANT AVAILABILITY
WITH THE NEW HOT-GAS FILTER

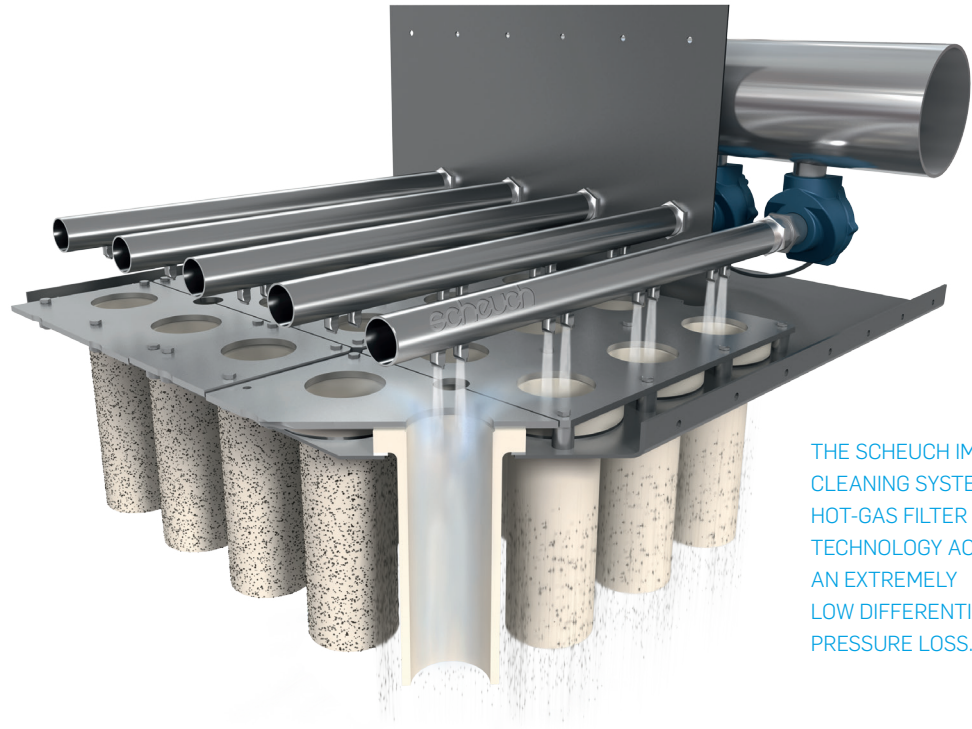


scheuch
TECHNOLOGY FOR CLEAN AIR

SCHEUCH HOT-GAS FILTER TECHNOLOGY

DENITRIFICATION, DEDUSTING AND DESULPHURIZATION –
THREE BENEFITS IN ONE SYSTEM

HOT STUFF



THE SCHEUCH IMPULS
CLEANING SYSTEM FOR
HOT-GAS FILTER
TECHNOLOGY ACHIEVES
AN EXTREMELY
LOW DIFFERENTIAL
PRESSURE LOSS.

A revolution in hot-gas filtration for industrial applications

Innovation is one of the most powerful driving forces at Scheuch. With its new hot-gas filter technology, the pioneer in air pollution control is revealing the future of exhaust gas cleaning and dedusting. This opens up completely new system concepts for economical and environmentally friendly dust separation and pollutant reduction.

Scheuch is the first company in the world to offer hot-gas filter technology with six-metre-long candle filter elements for industrial applications. Combining filtration, catalytic

denitrification and desulphurization in a single process step enables widespread use in many areas of industry.

One of the many advantages is the high temperature resistance of the candle filters. While conventional bag filters with fabric media reach their limits at process temperatures of 250 °C, for hot-gas filters and their ceramic filter elements, even 500 °C is no problem. Regeneration is performed based on the proven impuls cleaning system, which can be used to achieve extremely low differential pressures.

THE BENEFITS OF THE HOT-GAS FILTER AT A GLANCE:

- Combination of catalytic denitrification, dedusting and desulphurization
- Maximised system availability due to the clean gas modules that can be shut off individually in the event of bag damages
- Six-metre-long candle filter elements for a compact and cost-efficient filter design
- Extremely low differential pressures
- Heat extraction at higher temperatures
- Cost-effective and operationally safe heat recovery